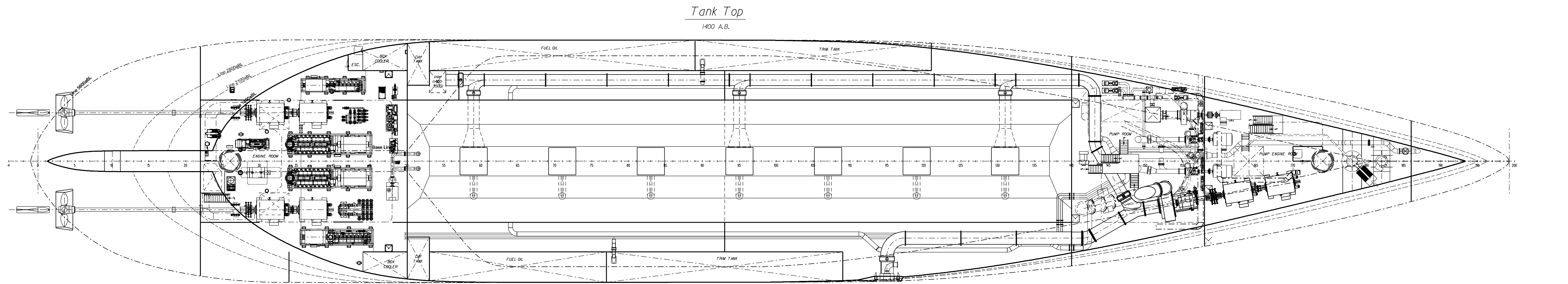
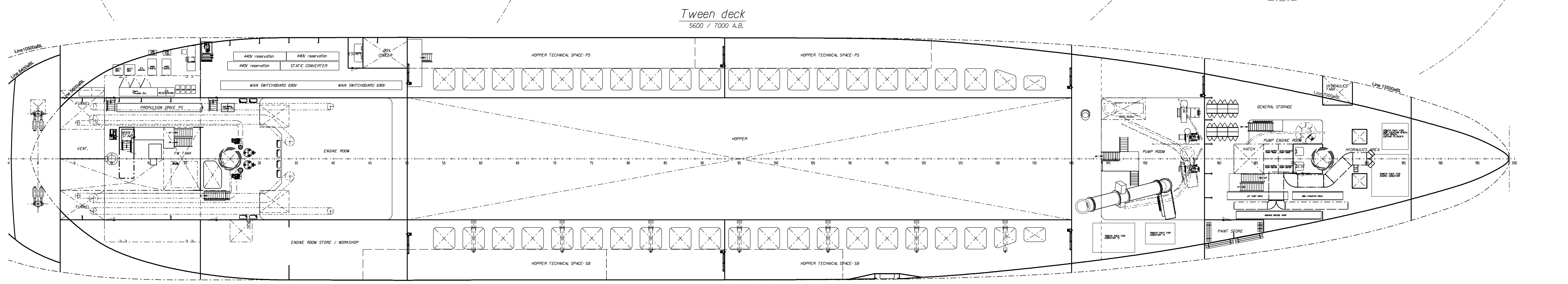
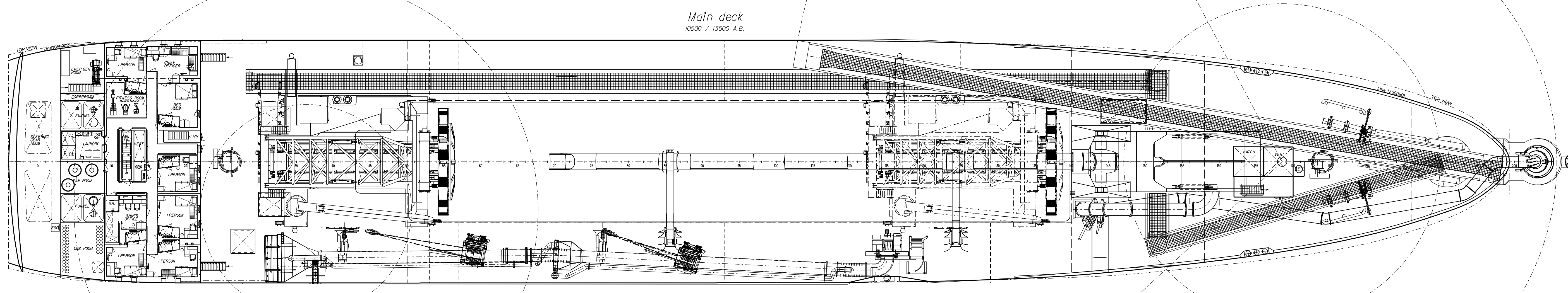
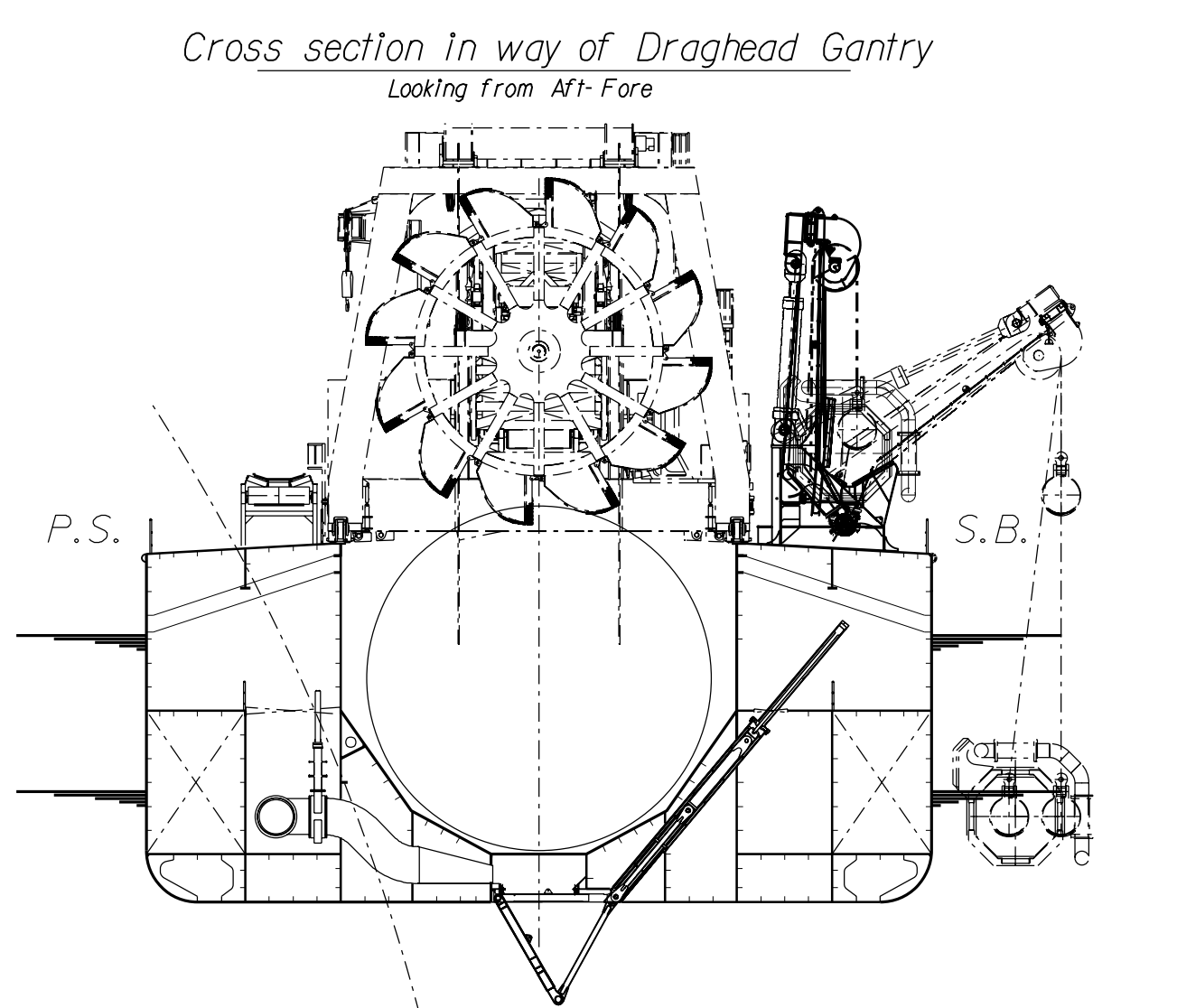
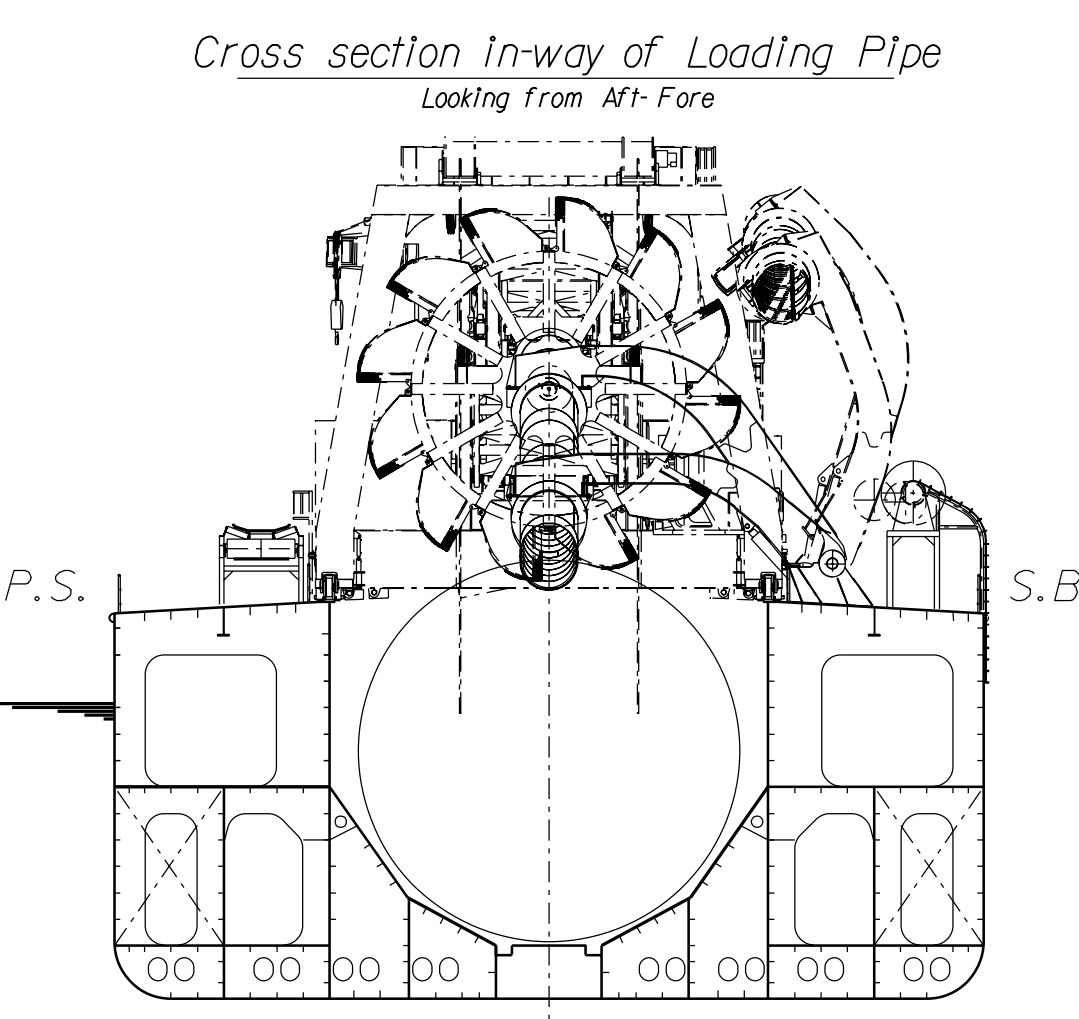
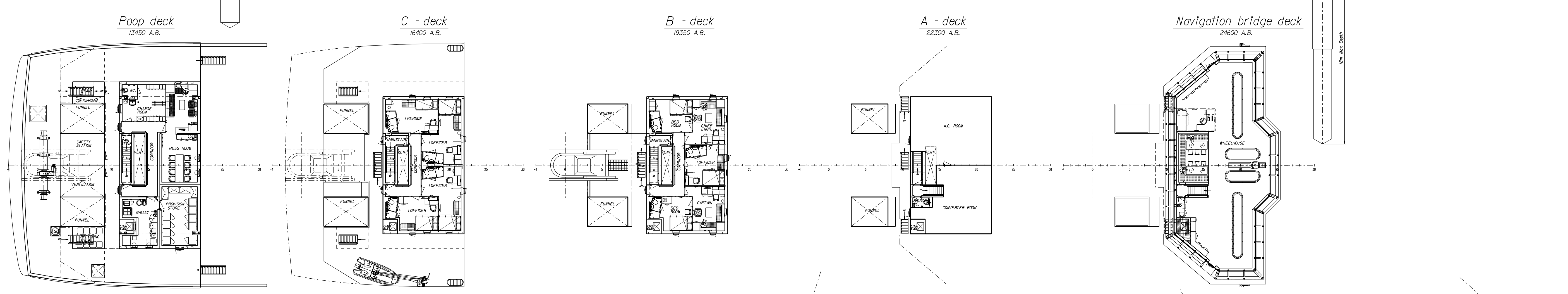
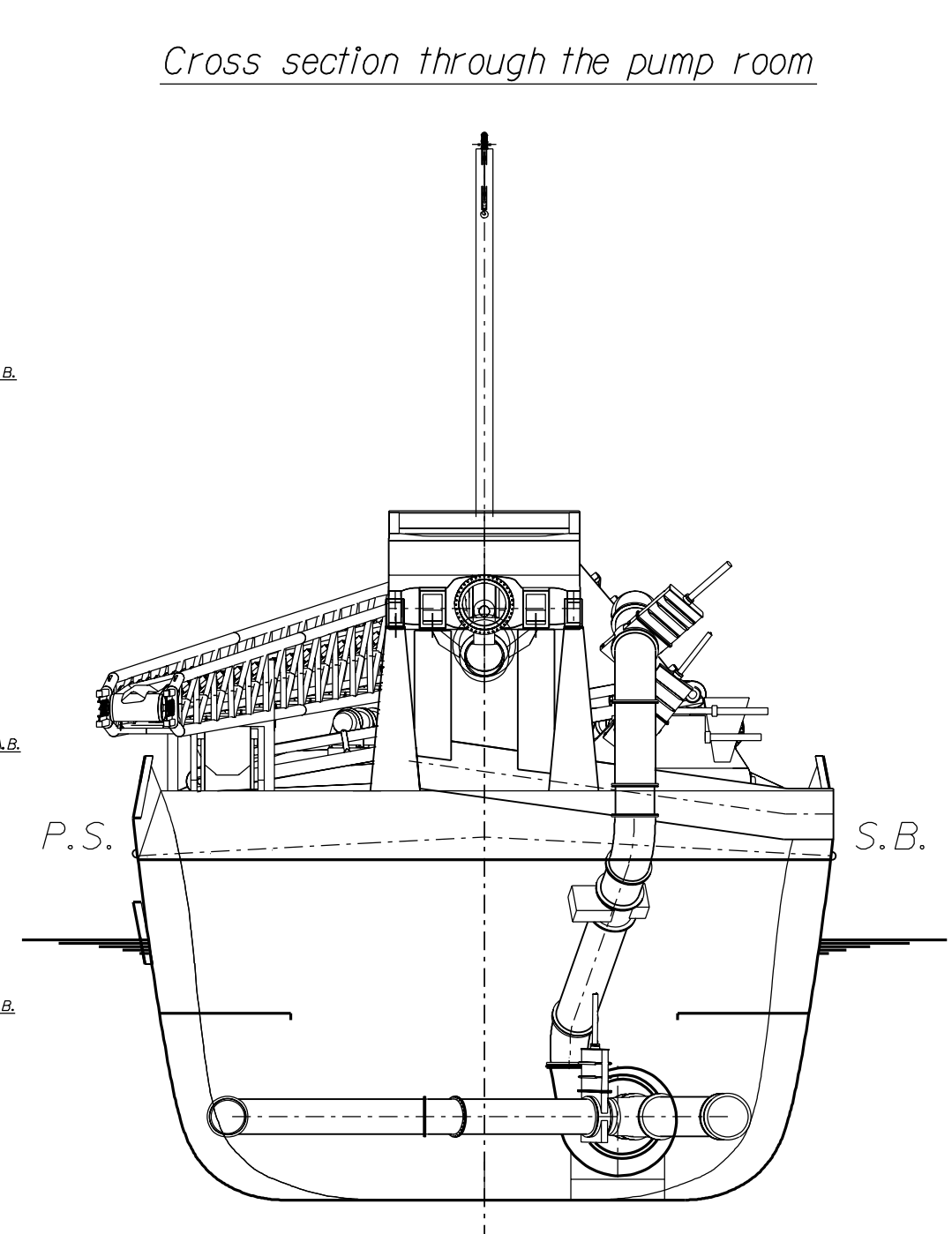
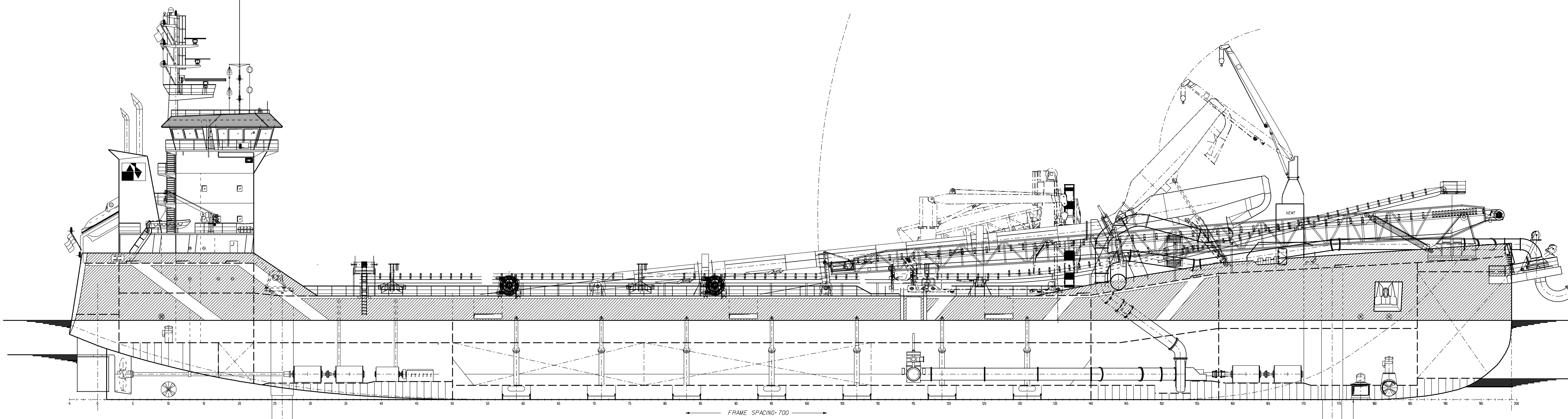


Revisions				
Rev.	Description	Conr.	Checked	Date



Principal Dimensions

Length over all (hull)	approx.	142.30 m
Length between p.p.		139.50 m
Breadth		23.00 m
Depth		10.20 m
Draught at International Freeboard		7.30 m
Draught at dredging mark		7.80 m
Dredging depth at 40°		35.00 m
Suction pipe diameter		1100 mm
Hopper capacity		5450 m ³
Complement		13 pers.

Number	Revision	Description	Material	Code Nr.	BRW	Pattern Nr.	Net mass per ship	Remarks
3								
2								
1								

Project No.	2960	Name	Trailing Suction Hopper Gravel Dredger
Order No.	01290-0338-010	Date	01-09-2016
Class	BY	Checked	NSA
Drawn		Mat. check	
Appr.			
Auth.			
Other			

IHC Holland B.V.		P.O. Box 1	
2960 AA Kinderdijk, The Netherlands		www.royalihc.com	
Project No. 2960		Drawing No. 01290-0338-010	
Section No. 1		Sheet 1 of 1 sheets	
Scale 1:200		Revision 0	